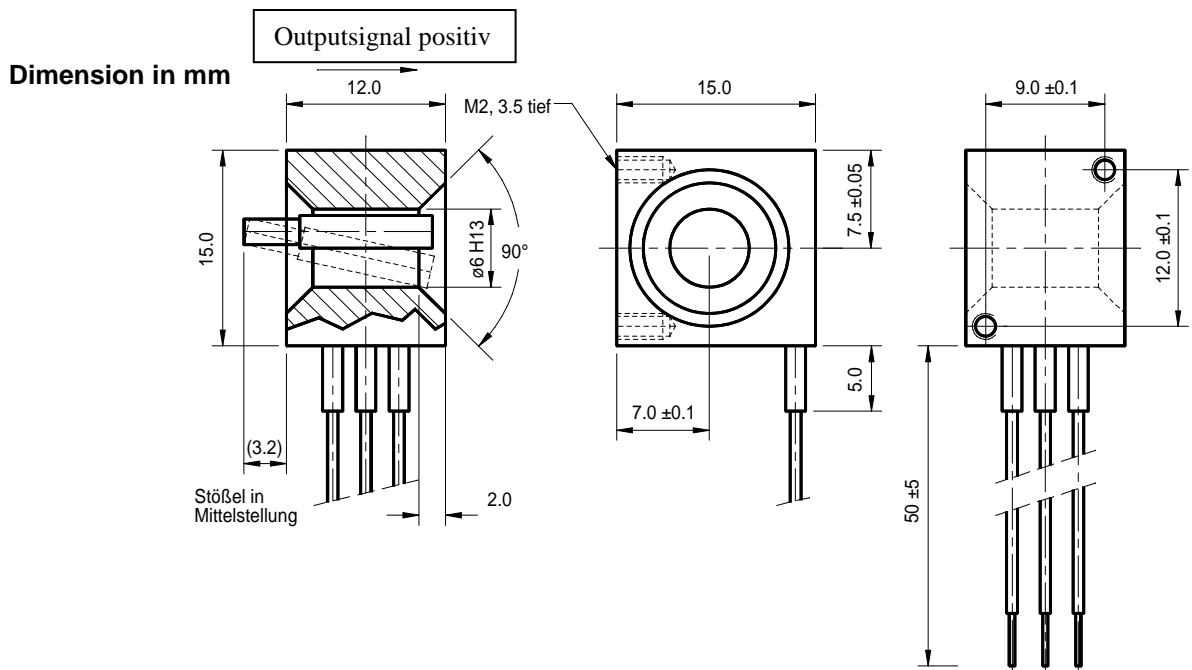


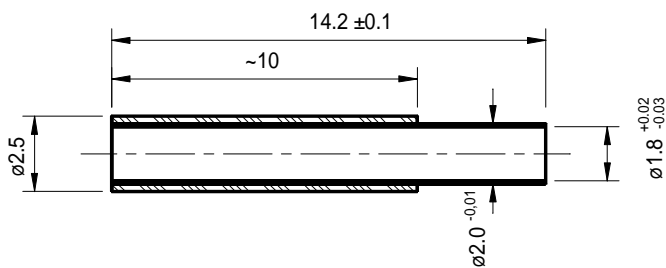
## Inductive Displacement Transducer

Model **SM205.3.X05**

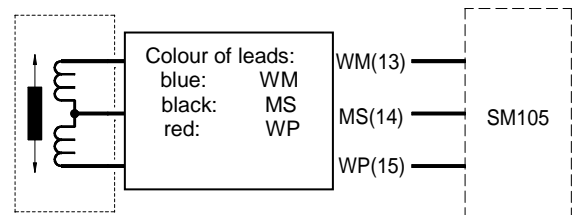
- Stroke  $\pm 1,5\text{mm}$
- Accuracy  $\pm 1\%$
- Sensitivity **240mV/mm**
- Sensitivity variation  $\pm 1\%$
- Kynar-leads **AWG28**



### Plunger



### Electrical connection



Vertrieb durch

**abj**

a.b.jödden gmbh  
 Von-Beckerath-Platz 4  
 D-47799 Krefeld  
 Fon 02151 516259- 0  
 Fax 02151 516259-20  
 info@ abjoedden.de  
 www.abjoedden.de