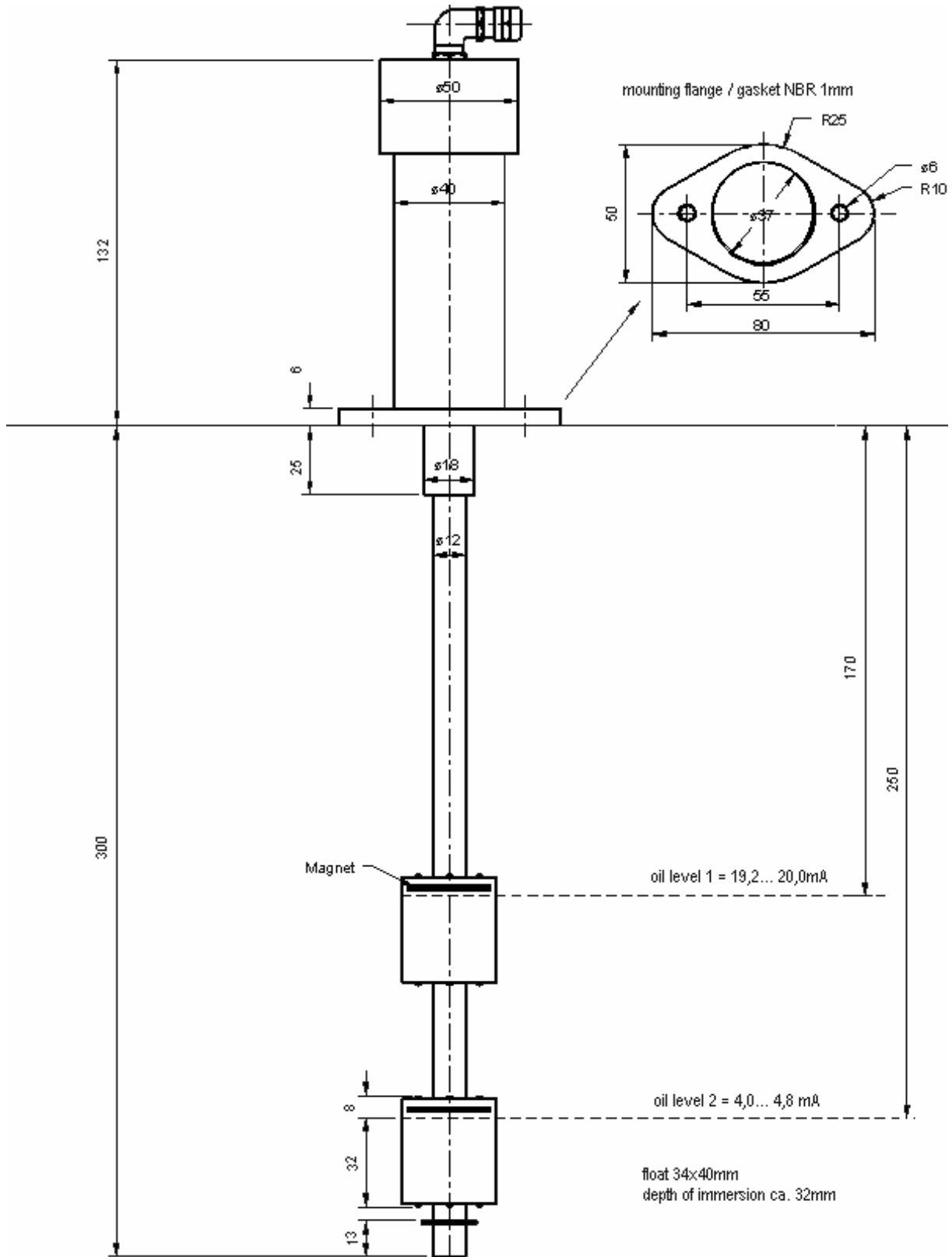


**Magnetostrictive Displacement Transducer  
SM703.80.X15**

**Bopp & Reuther part number  
2-09-10861-100**



### Technical data:

Standard stroke	80mm
Supply voltage $U_B$	20 .. 32V <sub>DC</sub> *
Supply current $I_B$	≤ 100mA
Output signal $\pm I_A$	4 .. 20mA 2-wire transmitter with HART protocol
	according to spec. PRetop 5335A
	Limiting value 3,8 .. 20mA
	Sensor error 3,5mA
	Reaction time 1 sec
Temperature range	-20°C up to +85°C
Protection class housing	IP66
Cable output	5m PUR-cable 4x0,34 shielded

\* Pole reversal protection

### Setting points and tolerance:

Oil level	setting point	Output signal
Oil level 1	170 mm	19,2 .. 20,0mA
Oil level 2	250 mm	4,0 .. 4,8mA

### Materials:

Measuring tube	brass
Flange	brass
Housing	Aluminium, black anodized
Float	Polypropylene

### Electrical connections:

Signal	Cable colour
+ $U_B$	brown
- $U_B$	white
+ $I_A$ (1*)	green
- $I_A$ (2*)	yellow

\* siehe Pinbelegung PRetop 5335A

### Supply items:

- 2 screws M6x16 DIN912 VA
- 2 washer M6 VA
- 1 NBR gasket

Vertrieb durch



a.b.jödden gmbh  
 Von-Beckerath-Platz 4  
 D-47799 Krefeld  
 Fon 02151 516259- 0  
 Fax 02151 516259-20  
 info@ abjoedden.de  
 www.abjoedden.de