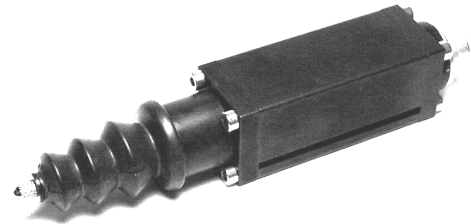


Inductive Displacement Transducer

Series **SM32**



- Stroke up to 15mm
- Integral electronic circuit
- Protection class IP66
- Accuracy 0,5% or 0,25%

Construction and operating principle:

A nickel iron core will be moved linear inside of a coil form. The displacement of the core leads to an inductance variation in both coils. The integral electronic circuit converts the variation into a signal proportional to the displacement.

Standard measuring stroke:

5 mm	10 mm	15 mm
------	-------	-------

Technical data:

Accuracy	< 0,5% or 0,25%
Temperature drift	< 0,01% / °C
Measurement frequency	800 Hz
Temperature range	-20°C to +85°C
Resistance to shock	250g SRS 20-2000Hz
Resistance to vibration	20g rms (50g peak)
Protection class	up to IP66*

* with mounted mating plug B1423

Note: Unless otherwise stated, all values are valid at +20°C ambient temperature and 30 VDC or ±15 VDC supply voltage, starting 10 minutes after switch-on.

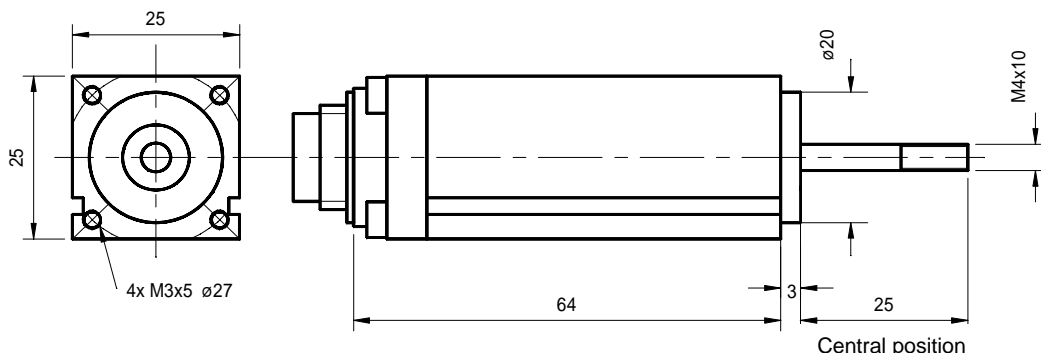
Standard versions:

Type	output	Supply voltage U_B *	signal**	mid
SM321	0 .. 20 mA	20 .. 32 V	increasing	10 mA
SM322			decreasing	
SM323	4 .. 20 mA	20 .. 32 V	increasing	12 mA
SM324			decreasing	
SM325	± 10 V	±13 .. ±16 V	increasing	0 V
SM326			decreasing	
SM327	0..10 V	20 .. 32 V	increasing	5 V
SM328			decreasing	

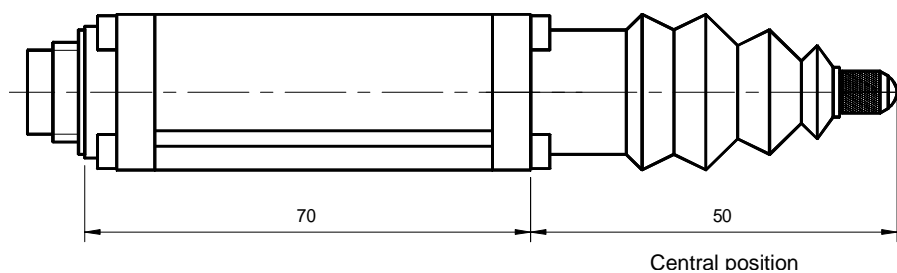
* Pole reversal protection

** Increasing signal by moving the plunger in the direction towards the plug

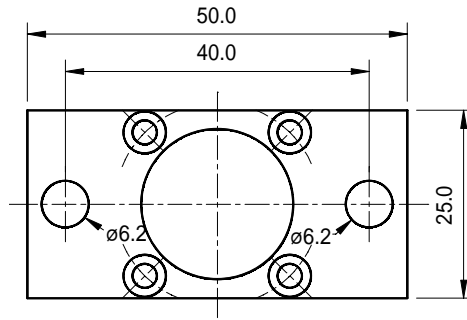
Dimensions in mm:



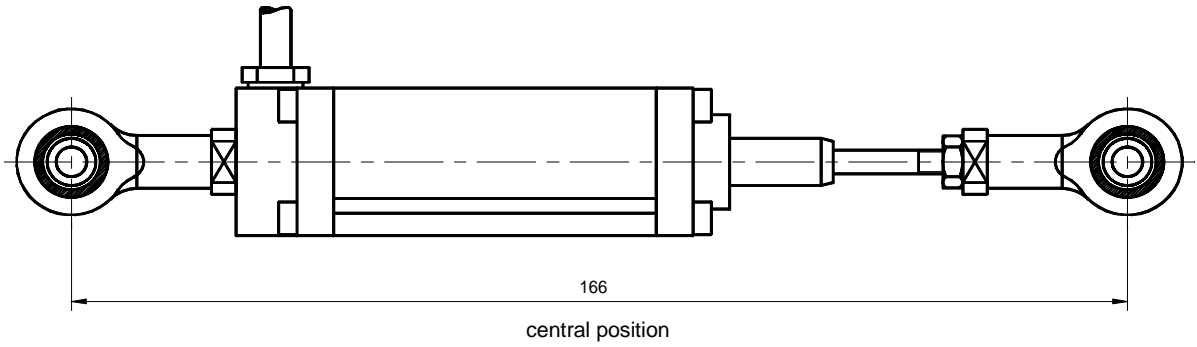
Gauge with bellow, plug (.BS)



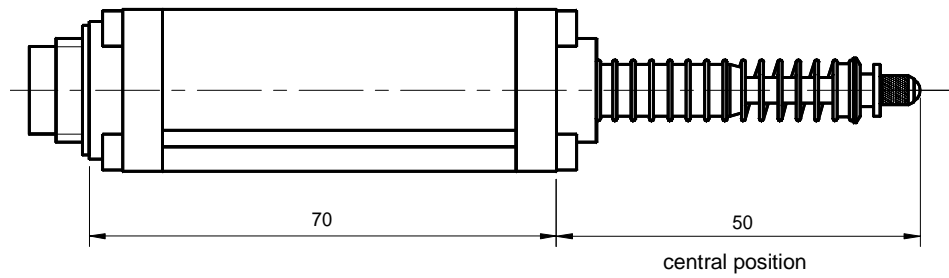
Front plate (.L)
Aluminium 3mm
black anodized



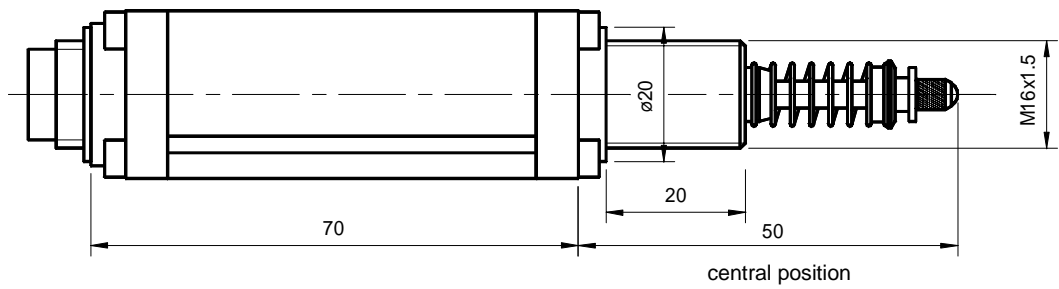
ball joint with guided and captivated plunger, ball joint on end of case, cable exit (.FGHK1)



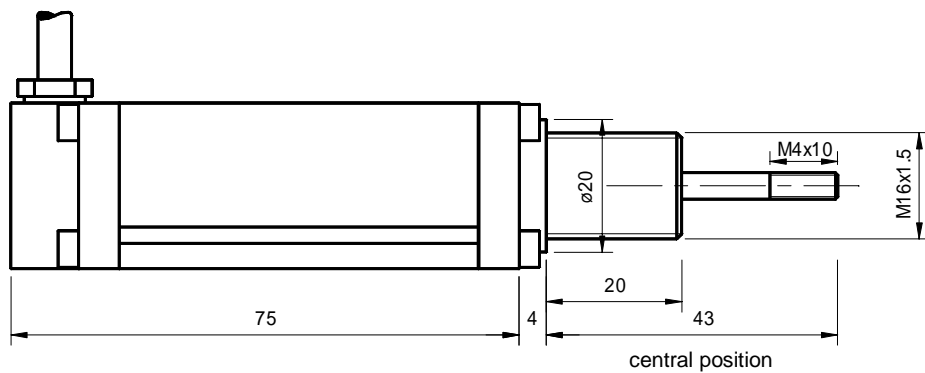
gauge without bellow, plug (.ST)



gauge without bellow, mounting thread M16x1,5, plug (.MST)



mounting thread M16x1,5, cable exit, cable length 1m (.K1M)



Current output (SM321..324):

Output signal	0..20 mA or 4..20 mA
Supply current I_B	max. 60 mA
Load resistance R_L	0..500Ω
Residual ripple	< 0,005 mA _{SS}
Dependence on R_L	< 0,001% for $\Delta R_L = 100\Omega$
Dependence on V_s	< 0,05% for $\Delta U_B = 1V$

Voltage output (SM325..328):

Output signal	± 10 VDC
Supply current I_B	max. 50 mA
Permissible load R_L	≥ 2 kΩ (short-circuit proof)
Residual ripple	< 5 mV _{SS}
Residual voltage SM327/328	max. 0,1VDC
Dependence on V_s	< 0,05% for $\Delta U_B = 1V$

Materials:

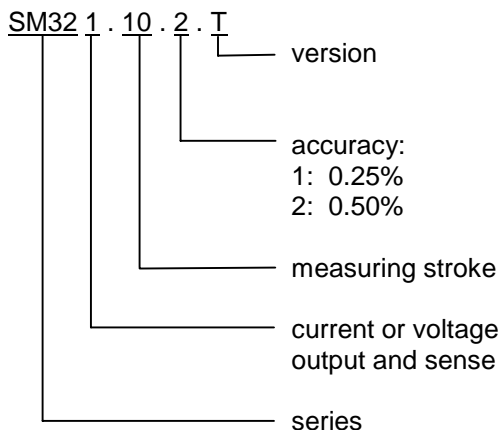
housing	anodized aluminium
plunger	stainless steel
core	stainless nickel iron alloy
Connector case	nickel plated brass
Connector contacts	gold plated brass

Mating plugs:

(must be ordered separately)

IP40: Binder Ser. 681 3PS/4PS
Metal case

IP66: Binder Ser. 423M 3PS/4PS

Order code

Order codes for customer specified versions will be named at plant.

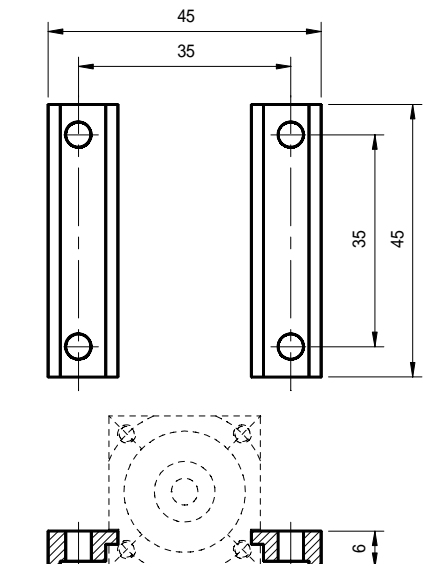
Electrical connections on plug

(view to the plug at transducer)

3-channel output 1, 2, 3, 4, 7, 8	4-channel output 5, 6
Cable colour 1: +U _B red 2: -U _B (0V) black 3: I _A / U _A (output) brown	Cable colour 1: +U _B red 2: 0V orange 3: -U _B black 4: U _A (output) brown

Option and accessories:

version .B	with bellow
version .K	cable exit
version .M	mounting thread M16x1,5
version .T	gauge
SM906.320	mounting clamps

mounting clamps
SM906.320

Incl. 4 screws M4x12 DIN 912

Distributor:

a.b.jödden gmbh
Von-Beckerath-Platz 4
D - 47799 KrefeldFon: 0049 2151 47 54 10
Fax: 0049 2151 47 54 14
info@abjoedden.de
www.abjoedden.de